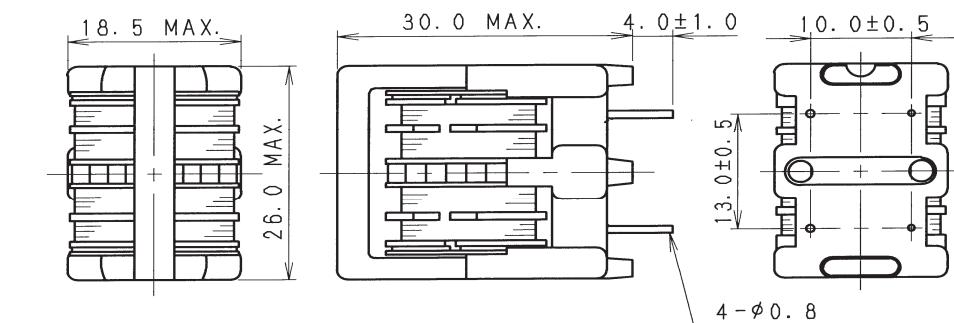
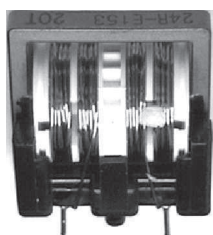
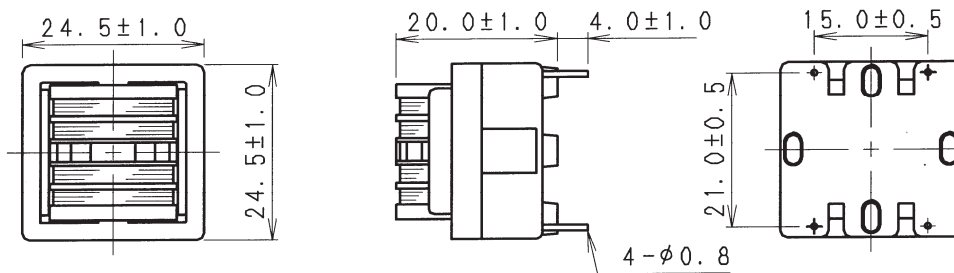
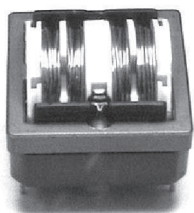


HR/HL-R シリーズ

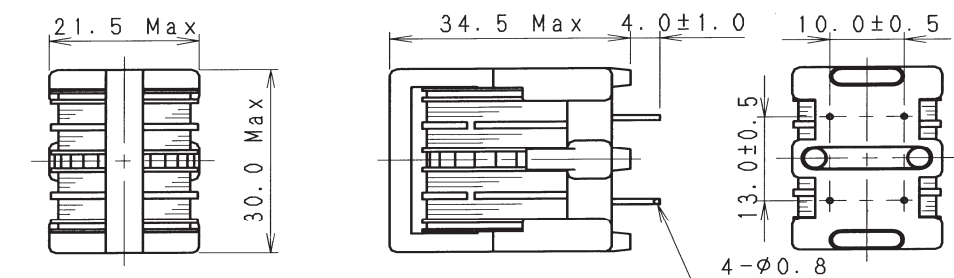
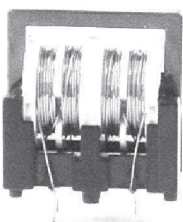
HR24R



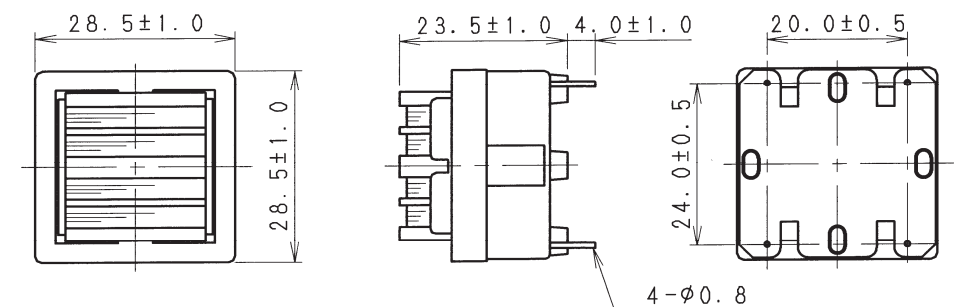
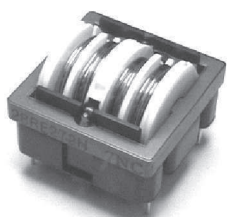
HL24R



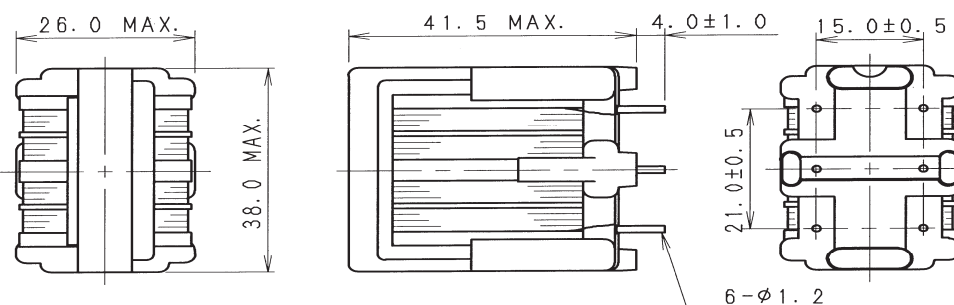
HR28R



HL28R



HR35



特性表

品番		L	許容電流	直流抵抗
縦型 Vertical type	横型 Horizontal type	[mH min.]	[A rms max.]	[Ω max.]
HR-24R-E122	HL-24R-E122	1.2	3.0	0.07
HR-24R-E222	HL-24R-E222	2.2	2.3	0.10
HR-24R-E332	HL-24R-E332	3.3	2.0	0.14
HR-24R-E392	HL-24R-E392	3.9	2.0	0.16
HR-24R-E472	HL-24R-E472	4.7	1.6	0.20
HR-24R-E562	HL-24R-E562	5.6	1.6	0.23
HR-24R-E682	HL-24R-E682	6.8	1.4	0.32
HR-24R-E822	HL-24R-E822	8.2	1.2	0.45
HR-24R-E103	HL-24R-E103	10.0	1.0	0.50
HR-24R-E123	HL-24R-E123	12.0	0.9	0.62
HR-24R-E153	HL-24R-E153	15.0	0.9	0.70
HR-24R-E183	HL-24R-E183	18.0	0.8	0.80
HR-24R-E273	HL-24R-E273	27.0	0.6	1.30
HR-24R-E393	HL-24R-E393	39.0	0.5	1.70
HR-24R-E683	HL-24R-E683	68.0	0.4	2.80
HR-24R-E104		100.0	0.25	4.20
HR-28R-E102		1.0	3.5	0.05
HR-28R-E122	HL-28R-E122	1.2	3.2	0.05
HR-28R-E222	HL-28R-E222	2.2	2.8	0.07
HR-28R-E272	HL-28R-E272	2.7	2.7	0.09
HR-28R-E332	HL-28R-E332	3.3	2.7	0.10
HR-28R-E502	HL-28R-E502	5.0	2.5	0.14
HR-28R-E702	HL-28R-E702	7.0	2.0	0.18
HR-28R-E822	HL-28R-E822	8.2	1.7	0.24
HR-28R-E103	HL-28R-E103	10.0	1.7	0.26
HR-28R-E123	HL-28R-E123	12.0	1.7	0.27
HR-28R-E153	HL-28R-E153	15.0	1.5	0.38
HR-28R-E183	HL-28R-E183	18.0	1.5	0.42
HR-28R-E253	HL-28R-E253	25.0	1.2	0.60
HR-28R-E333	HL-28R-E333	33.0	0.8	0.80
HR-28R-E393	HL-28R-E393	39.0	0.7	1.00
HR-28R-E473	HL-28R-E473	47.0	0.7	1.10
HR-28R-E683	HL-28R-E683	68.0	0.6	1.60
HR-28R-E104	HL-28R-E104	100.0	0.4	2.50
HR-35-E152		1.5	5.0	0.035
HR-35-E222		2.2	4.5	0.040
HR-35-E332		3.3	4.2	0.050
HR-35-E392		3.9	3.7	0.058
HR-35-E472		4.7	3.5	0.060
HR-35-E822		8.2	3.0	0.100
HR-35-E103		10.0	2.5	0.150
HR-35-E153		15.0	2.0	0.200
HR-35-E183		18.0	1.9	0.250
HR-35-E223		22.0	1.8	0.330
HR-35-E333		33.0	1.4	0.440
HR-35-E473		47.0	1.2	0.640

特性値は標準品の値です。標準品以外にも対応致しますので、設計部、営業担当にご相談ください。特性値は現状での標準値です。改善の為、変更する場合がありますので、御使用の際には個別の納入仕様書にてご確認ください。